

DATA SHEET PLAYPOINT WITHOUT IMPACT PROTECTION FLOVA CORY

Text for invitation to tender | Item No: 513411401



MATERIALS | SCOPE OF SUPPLY

Playpoint, pre-mounted completely

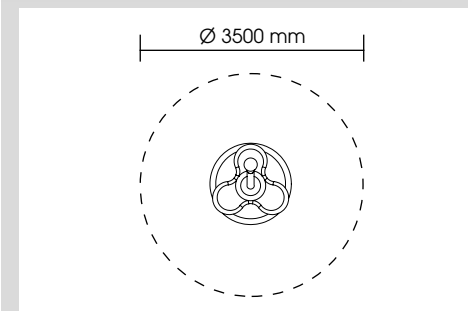
Handles:	stainless steel, V2A, 1 piece with ball made of EPDM caoutchouc
Flower seat:	EPDM caoutchouc with steel inlay, 1 piece
Base plate:	stainless steel, V2A coa- ted with EPDM granules with bearing at the bottom
Foundation anchor:	galvanized steel

TECHNICAL INFORMATION

Dimensions:

Main dimension:	Ø 495 mm
Height:	1020 mm
Weight:	66 kg
Capacity:	acc. to normative requirements
Dimension largest piece:	Ø 495 x 860 mm
Heaviest piece:	38 kg

Max. fall height:	600 mm
Minimum space:	Ø 3500 mm
Recommended surface material:	optional, except sand The ground should be smooth and free of edges.



INSTALLATION

Foundations: 1
Installation according to our detailed mounting
instructions, see www.stilum.com

